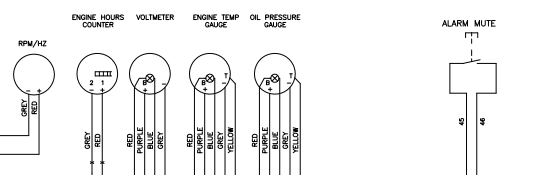
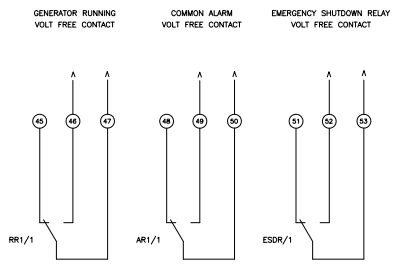
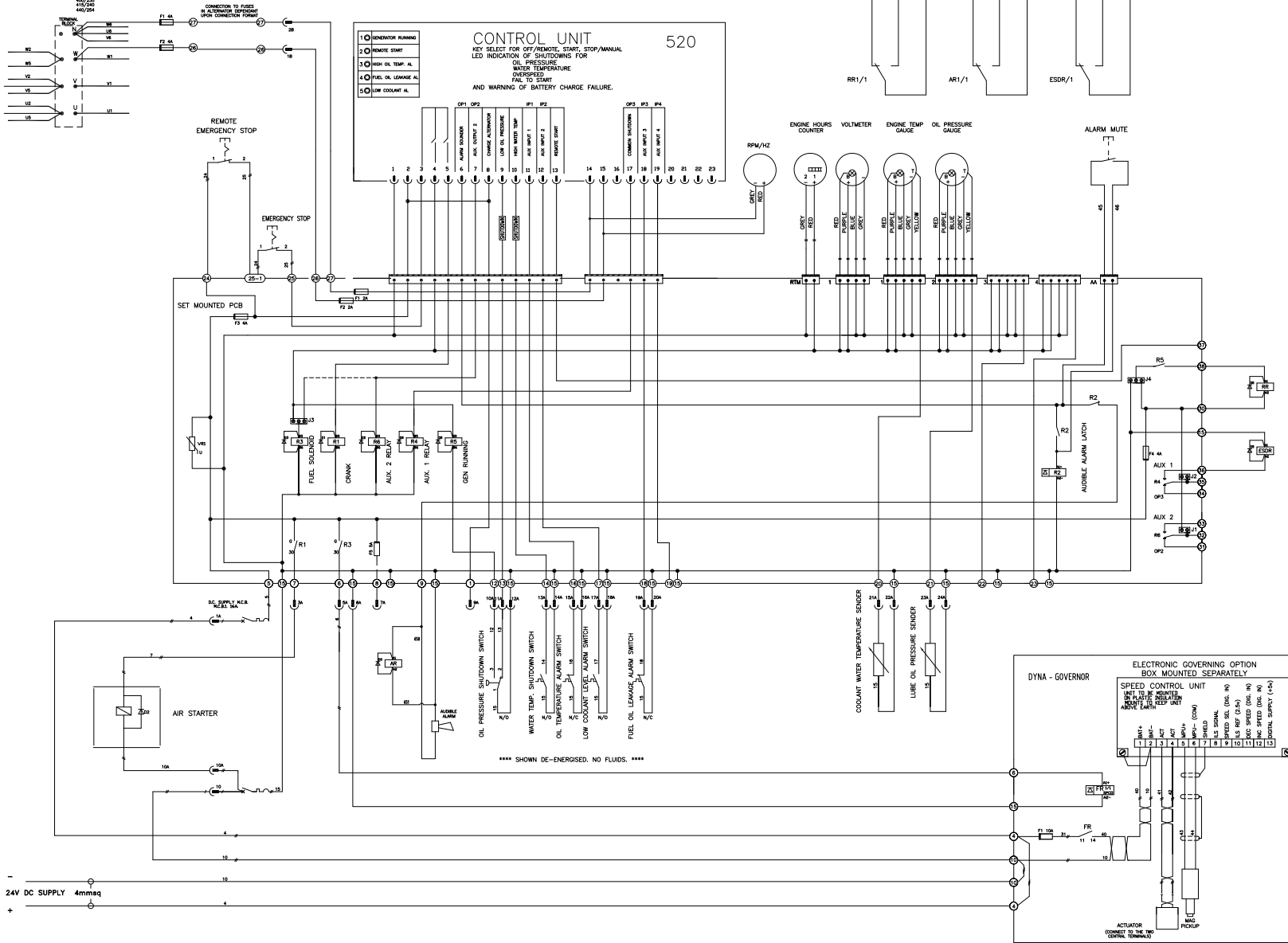


TERMINAL CONNECTION
(SERIES STAR CONNECTION) 3PH 4 WIRE

- NOTE:-
 1) OUTPUT TERMINALS ARE WELDED IN FOR OUTPUT CONNECTION.
 2) NOTE POWER OF SIGNALS NEEDS TO BE SET BY LINES.
 3) WIRE GAUGE & CABLE SIZE TO BE MADE ON THE A.V.R. IN 50M OR 60M.
 4) WOLFE AVAILBLE SWITCHES:
 200/250
 300/350
 400/250



**** SHOWN DE-ENERGISED, NO FLUIDS, ****